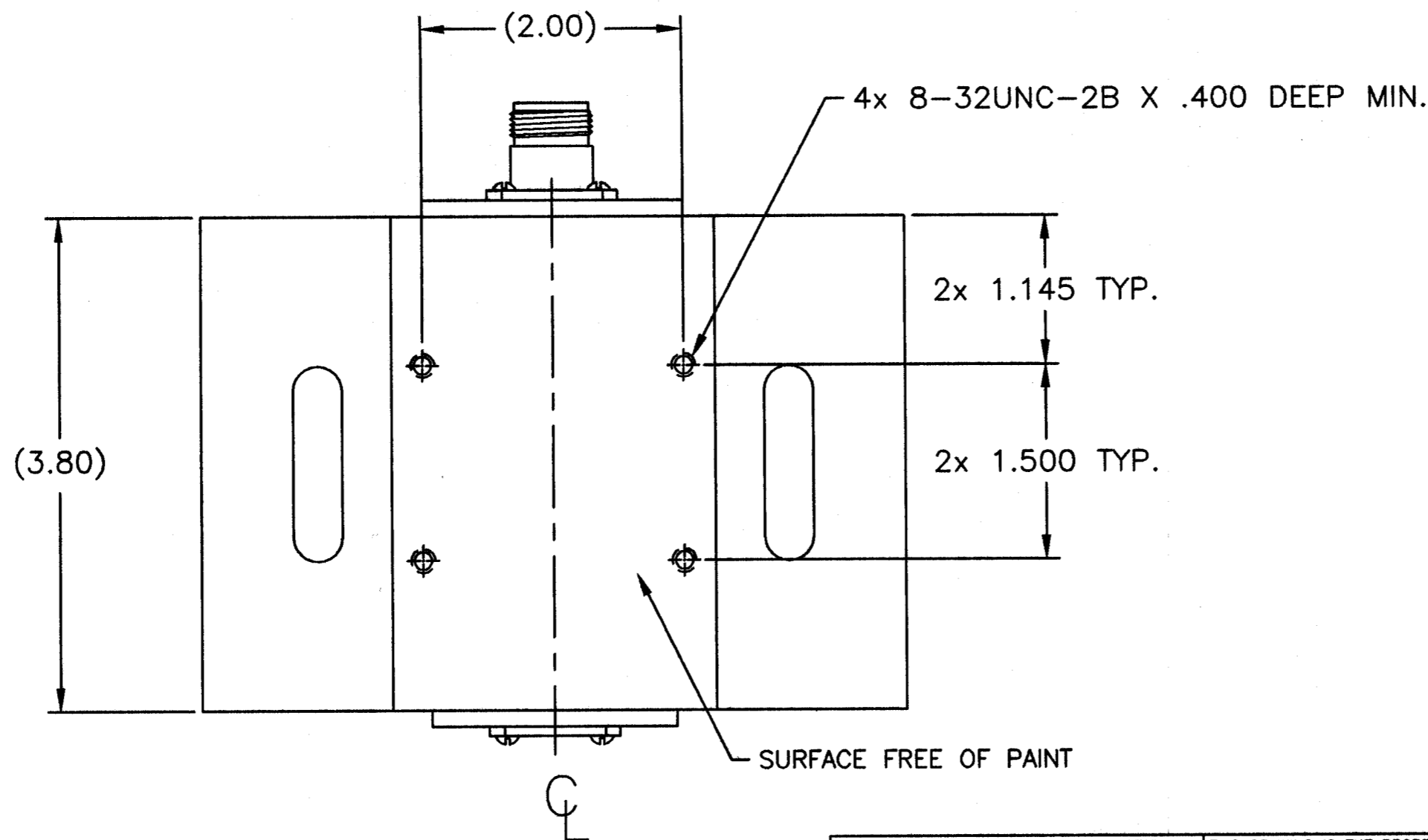
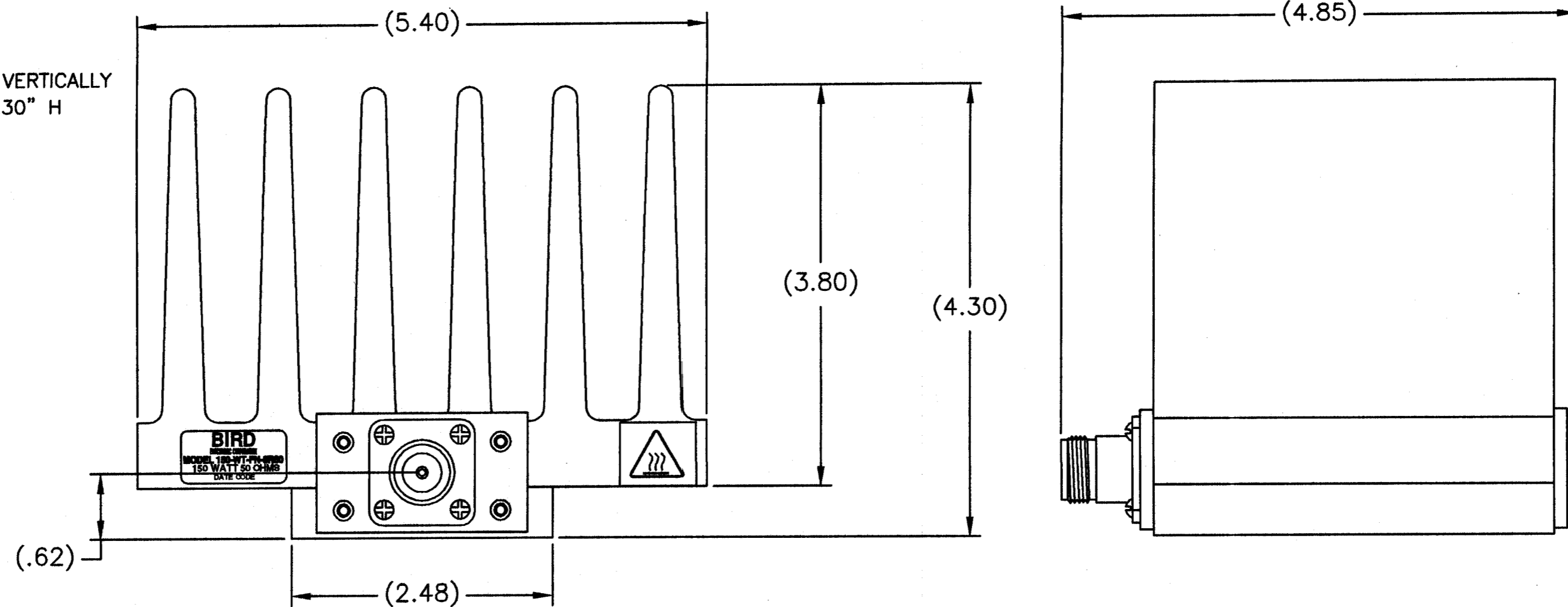



SPECIFICATIONS:
 FREQUENCY RANGE: DC TO 1GHz
 MISMATCH VALUE: 5.00:1 ±0.25
 POWER RATING: 150 WATTS AVG. AT 25°C AMBIENT
 COOLING FIN: ALUMINUM, BLACK ANODIZED
 COVER: ALUMINUM, BLACK ANODIZED
 CONNECTOR: N-TYPE FEMALE, TRI-ALLOY PLATED
 OPERATING POSITION: HORIZONTAL (FINS UP) OR VERTICALLY
 NOMINAL SIZE: APPROX. 4.85" L X 5.40" W X 4.30" H
 WEIGHT: APPROX. 2.5 LBS

REVISIONS			DWG. NO.	SHEET	REV
ZONE	REV	DESCRIPTION	DATE	APPROVED	
	A	CONVERT TO BEC FORMAT	DMR 4-7-03	<i>MR</i>	



UNLESS OTHERWISE SPECIFIED DIMENSIONS ARE IN INCHES TOLERANCES ARE:		MILLIMETERS X = ±.4 XX = ±.12		THIS DRAWING IS THE PROPERTY OF THE BIRD ELECTRONIC CORPORATION. THE DESIGNS AND SPECIFICATIONS DISCLOSED HEREON ARE PROPRIETARY AND SHALL NOT BE REPRODUCED, NOR COPIED, NOR USED AS THE BASIS FOR THE MANUFACTURE OR SALE OF APPARATUS OR DEVICES WITHOUT THEIR EXPRESS WRITTEN CONSENT.				 BIRD Electronic Corporation Cleveland (Solon) Ohio USA	
FRACTIONS ± 1/64		DECIMALS .XX ± 0.010 .XXX ± 0.005		ANGLES ± 30°		DO NOT SCALE DRAWING		APPROVALS DRAWN: D.M.RINK CHECKED: APPROVED: <i>MARK</i>	
DATE: 4-7-03		TITLE: LOAD, MISMATCHED, CONVECTION COOLED 5.00:1, N-TYPE FEMALE, 150W		SIZE: C		FSCM NO.: 70998		DWG. NO.: 150-WT-FN-5R00 SHEET: 1 OF 1	
MATERIAL:		APPROVED: <i>MARK</i>		DATE: 6-5-03		SCALE: 1:1		COMM CODE: LD1 SHEET: 1 OF 1	
FINISH:		AUTOCAD							